

Toorak LED

Specification

Material

The body and brim can be made from Aluminium, Copper or Brass Glazing is a double UV stable polycarbonate moulding.

Ingress Protection

IP 66 Optical Compartment , IP 44 Gear Compartment

Finishes

The Aluminium body and brim are treated with a chromate and then can be Polyester Powder Coated any BS or RAL colour. Copper and Brass versions can be Polished and Lacquered or given an antique finish. They can also be left raw to age naturally.

Optics

A variety of optical grade acrylic lenses can be fitted to suit any lightening application

LED Array 12 - 72 led

Fixings & Mountings

All fixings are Stainless Steel
This fitting can be Top mounted via Candela's Easy Fit, side entry or Stirrup mounted to suit our range of wall and post top brackets suitable for all size columns

Recommended Height

3 mtr - 6 mtr

Maintenance

Gear and LED's are mounted in the body and brim and are accessible via 3 screws. Led unit and driver can be removed via M5 nuts and replaced.

Photo Electrical Cell

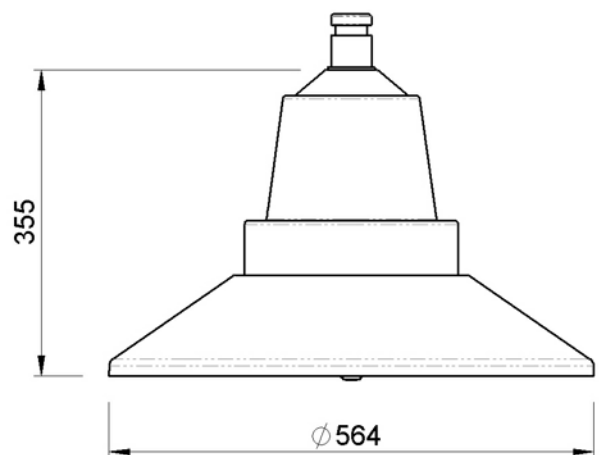
The fitting accepts all manufacturers Photo Electrical Cells as an option

Weight & Windage

Average weight 8 Kgs depending on gear. Windage 0.11 mtr sq



Dimensions



Typical Applications

- ✓ Car Parks
- ✓ Amenity
- ✓ Street / Highway
- ✓ Exterior
- ✓ House Builders

319, Long Acre, Nechells, Birmingham, UK. B7 5JT

Tel 0121 678 6700 Fax 0121 678 6701

Email: sales@candela.co.uk Web: www.candela.co.uk

Candela Light is a trading name of Candela Traditional lighting Limited Design Right subsisting in the design of articles shown herein are the property of Candela Traditional Lighting Limited