

Lindale

Specification

Material

The chassis and the cradle are cast aluminium LM6 and canopy spun aluminium. The glazing can be either a shallow bowl polycarbonate moulding or flat toughened glass.

Ingress Protection

IP 66 Optical Compartment , IP 44 Gear Compartment

Finishes

The Aluminium body, cradle and brim are treated with a chromate and then can be Polyester Powder Coated any BS or RAL colour.

Optics

Can be fitted with the Candela EV and SGS range of street optics. LED's are fitted with variety of street optical lenses

Gear

Sodium and CDMT-T	150w Max
CDMT	250w Max
Metal Halide	150w Max
Compact Fluorescent	70w Max
Cosmopolis	45w - 140w

LED Array

24w - 72w

Fixings & Mountings

All fixings are Stainless Steel

This fitting is a 76/89mm Post Top entry mounting suitable for our range of wall, post top brackets and all size columns

Recommended Height

3mtr - 6 mtr

Maintenance

No tooling required. Releasing the stainless steel over centre allows the bowl and brim assembly hinge down gaining access to the gear and lamp. Lamp change is via our ¼ turn lamp holder and gear withdraws for maintenance.

Photo Electrical Cell

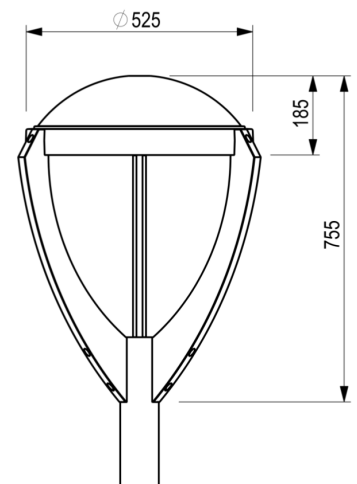
The fitting accepts all manufacturers Photo Electrical Cells as an option.

Weight & Windage

Average weight 15 Kgs depending on gear. Windage 0.1mtr sq



Dimensions



Typical Applications

- ✓ Car Parks
- ✓ Amenity
- ✓ Street / Highway
- ✓ Exterior
- ✓ House Builders

319, Long Acre, Nechells, Birmingham, UK. B7 5JT

Tel 0121 678 6700 Fax 0121 678 6701

Email: sales@candela.co.uk Web: www.candela.co.uk

Candela Light is a trading name of Candela Traditional lighting Limited Design Right subsisting in the design of articles shown herein are the property of Candela Traditional Lighting Limited



candela

L I G H T